



Models

THM-DS

Available in
(110lbs to 2500lbs)
Mixing Capacity



Double Sigma Open Frame Mixer

Topos Mondial can now offer their Double Sigma "Open Frame", sanitary designed, 110 degree Overtilt Horizontal Mixers (DSOFHM). These mixers are being offered in several sizes [110 lb through 2500 lb]. The bowl design is a double agitator design. The reinforced mixing bowl, the bowl canopy, the main shaft and the double sigma agitators are all solid stainless steel. The mixer frames can also be made using mild steel coated in "STEEL IT" or from solid stainless steel.

The mixing controls can be custom built to meet your exact mixing needs. VFD controls with a dynamic brake are standard for additional mixing versatility. The heavy duty "Hytos" hydraulic bowl tilting package is easily accessible under the stainless steel lift-off cover. Easy maintenance, heavy duty construction and super sanitary design are its trademarks.



toposmondial.com

Standard Features

The reinforced mixing bowl, the bowl canopy, the main shaft and the single/double sigma agitator are all solid stainless steel.

All S/S NEMA 4x electrical control enclosure is built to suit, with timers and relay logic or with PLC and Panelview controls.

The optional bowl jacket is insulated and covered with a sanitary welded S/S cover.

Available in Nominal Sizes for 110 lb through 2500 lb of mixing.

The agitator design is a proven overlapping double sigma configuration.

Direct drive, high efficiency, gearmotor drive.

Hydraulic package is covered with a lift off S/S cover and includes the manual hand pump option.

The 110 degree overtilt horizontal mixer bowl is standard. Other overtilt angles are also available.

"Open Frame" sanitary design for fast and easy cleaning.

The mixer frames can also be made using mild steel coated in "STEEL IT" or from solid stainless steel.



toposmondial.com

600 Queen St. Pottstown, PA, USA - +1.610.970.2270

Options and Accessories



Mixer operator control stations can be designed and built to meet the exact needs of the mixing process.

Front bowl edge pouring lips can be fabricated in various lengths and at various angles to achieve the best dough transfer needed.



Bulk dry ingredient openings can be slide gate or butterfly style as desired.

Liquid ingredient inlets of all sizes can be added to suit. ▼



Manual Ingredient inlet openings can be designed and fabricated to meet your exact needs.



Bowl overtilt angles can be from 90 to 160 degrees to accommodate your exact needs.



toposmondial.com

600 Queen St. Pottstown, PA, USA - +1.610.970.2270



TOPOS DOUBLE SIGMA MIXER SPECIFICATIONS

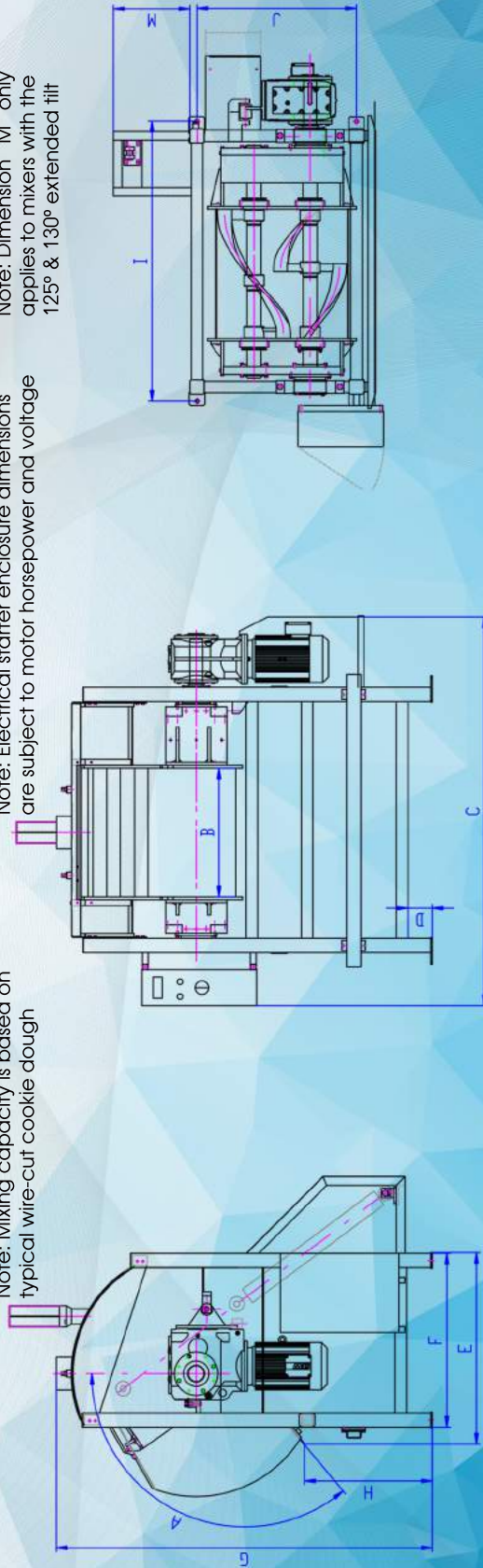
Model	Dough Capacity lbs	Working Volume gal	Max Volume gal	Power kW / hp	Speed Range RPM	Tilt Angle A degrees	B inch	C inch	D inch	E inch	F inch	G inch	H inch	I inch	J inch	M inch
THM-150T	110	15	18	3.3/4	10-90	115	17 1/2	83	4	37 1/2	31 1/2	67	29	54	28 1/2	0
THM-500T	450	50	79	10/13	8-70	130	27 1/2	100	5	54 1/2	47	81	27	79	44	12 1/2
THM-800T	700	80	124	10/13	7-60	110	27 1/2	100	5	61 1/2	52	90	30	68 1/2	48	0
THM-1000T	900	100	159	15/20	7-60	130	35 1/2	108 1/2	5	56 1/2	52	101	35 1/2	77	48	17
THM-1500T	1100	150	211	28/38	7-60	130	37 1/2	111 1/2	5	60	50	105	28 1/2	99	47	19 1/2
THM-2500T	1700	250	386	34/46	7-60	125	49	136 1/2	5	76 1/2	66	131 1/2	43 1/2	100	60	0
THM-3500T	2350	350	468	55/74	7-60	125	53	151	5	85 1/2	70 1/2	138 1/2	42	109	65	20

STANDARD

Note: Mixing capacity is based on typical wire-cut cookie dough

Note: Electrical starter enclosure dimensions are subject to motor horsepower and voltage

Note: Dimension "M" only applies to mixers with the 125° & 130° extended tilt



Model	Dough Capacity kg	Working Volume liters	Max Volume liters	Power kW / hp	Speed Range RPM	Tilt Angle A degrees	B mm	C mm	D mm	E mm	F mm	G mm	H mm	I mm	J mm	M mm
THM-150T	50	50	70	3.3/4	10-90	115	450	2110	101	958	800	1704	741	1370	720	0
THM-500T	200	200	300	10/13	8-70	130	700	2540	127	1388	1200	2060	680	2010	1120	320
THM-800T	300	300	460	10/13	7-60	110	700	2540	127	1311	1100	1960	750	2010	1020	0
THM-1000T	400	400	600	15/20	7-60	130	900	2760	127	1557	1315	2280	760	1735	1220	0
THM-1500T	500	500	800	28/38	7-60	130	950	2830	127	1430	1315	2570	900	1956	1220	435
THM-2500T	780	980	1460	34/46	7-60	125	1250	3470	127	1560	1630	2380	780	1956	1220	0
THM-3500T	1050	1300	1770	55/74	7-60	125	1340	3940	127	1530	1795	2670	870	2520	1750	0

METRIC



Toposmondial.com
600 Queen St. Pottstown, PA, USA ~ +1.610.970.2270