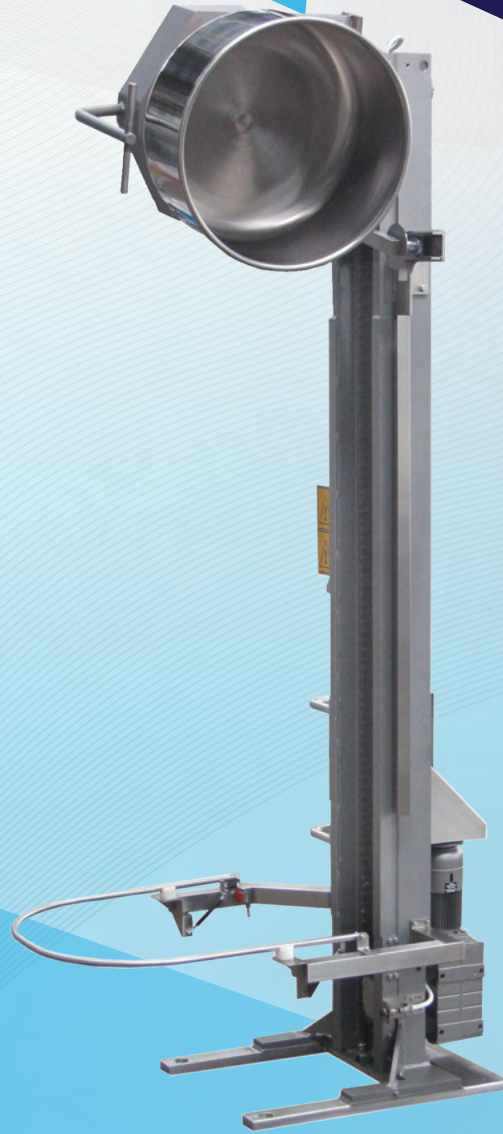


Models

T-795

T-796

*Right hand tilting
hoists shown



Vertical Post Style Hoists

The new Model T-795 and T-796 Vertical Post Style Hoist (VPSH) from Topos is compatible with all Topos mixer bowls and troughs. The hoist can be customized to accept other bowls and troughs as well. It features a heavy-duty 'I-beam' construction with dump heights to suit customer specifications. The hoist is capable of tilting bowls and/or troughs to the left or right. It has a compact footprint and the hoist is easy to operate - requiring minimal maintenance.



Left hand tilting model shown with floor mounted fencing around base of hoist for added OSHA protection.

toposmondial.com

Standard Features

Compatible with all Topos mixer bowls and troughs. Can be customized to handle other bowls and troughs as needed.

Sanitary urethane chain cover with toolless belt release and end roller removal.

***All stainless steel version**

Full stainless steel C-channel derived main lifting structure with hardened internal roller guides.

Fabricated from both stainless steel and mild steel coated in "Steel-It" stainless steel coating.

Built to your height specifications.

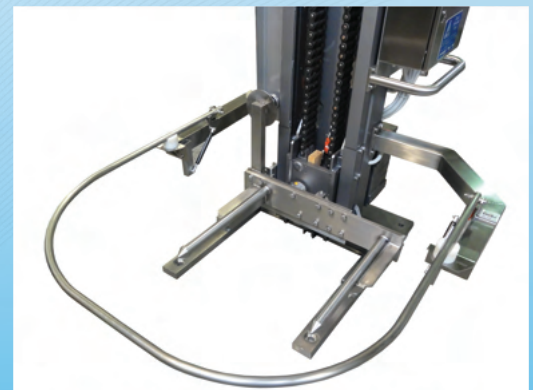
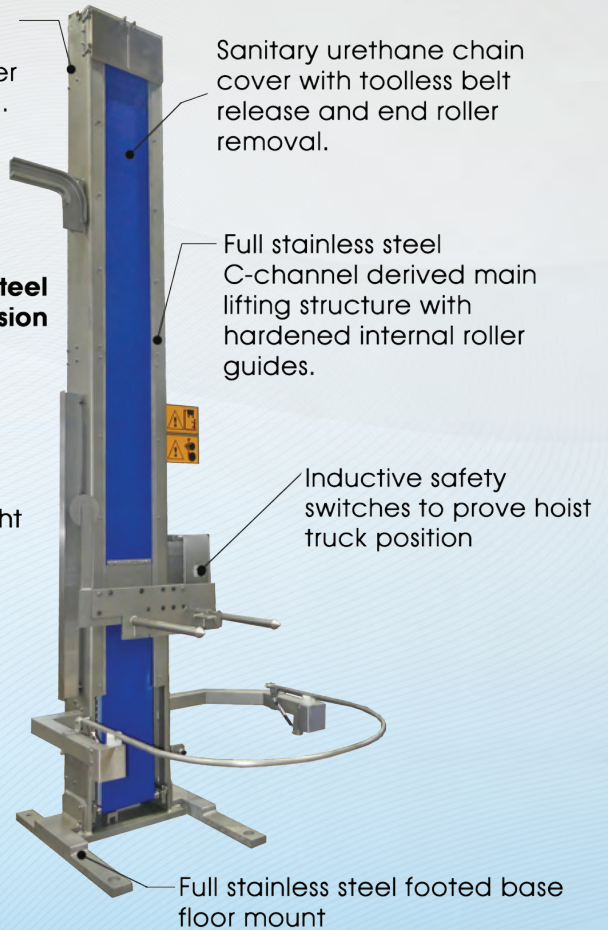
Inductive safety switches to prove hoist truck position

***Standard version**

Options:

- › Bi-directional tilting to feed dough into two lines sitting side by side.
- › Bowl scrapers for all Topos mixer bowls.

Full CE compliant.



Includes safety bowl guard for OSHA compliance. Can be customized with additional fence-type guarding.

toposmondial.com

600 Queen St. Pottstown, PA, USA +1-610-970-2270

