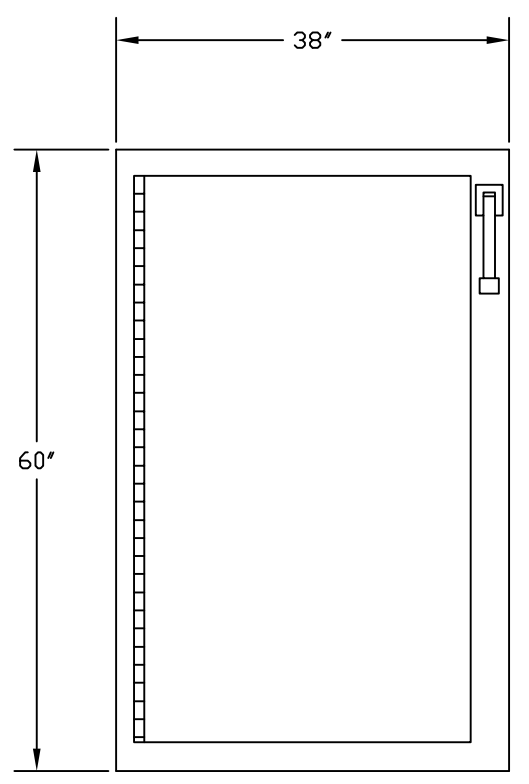
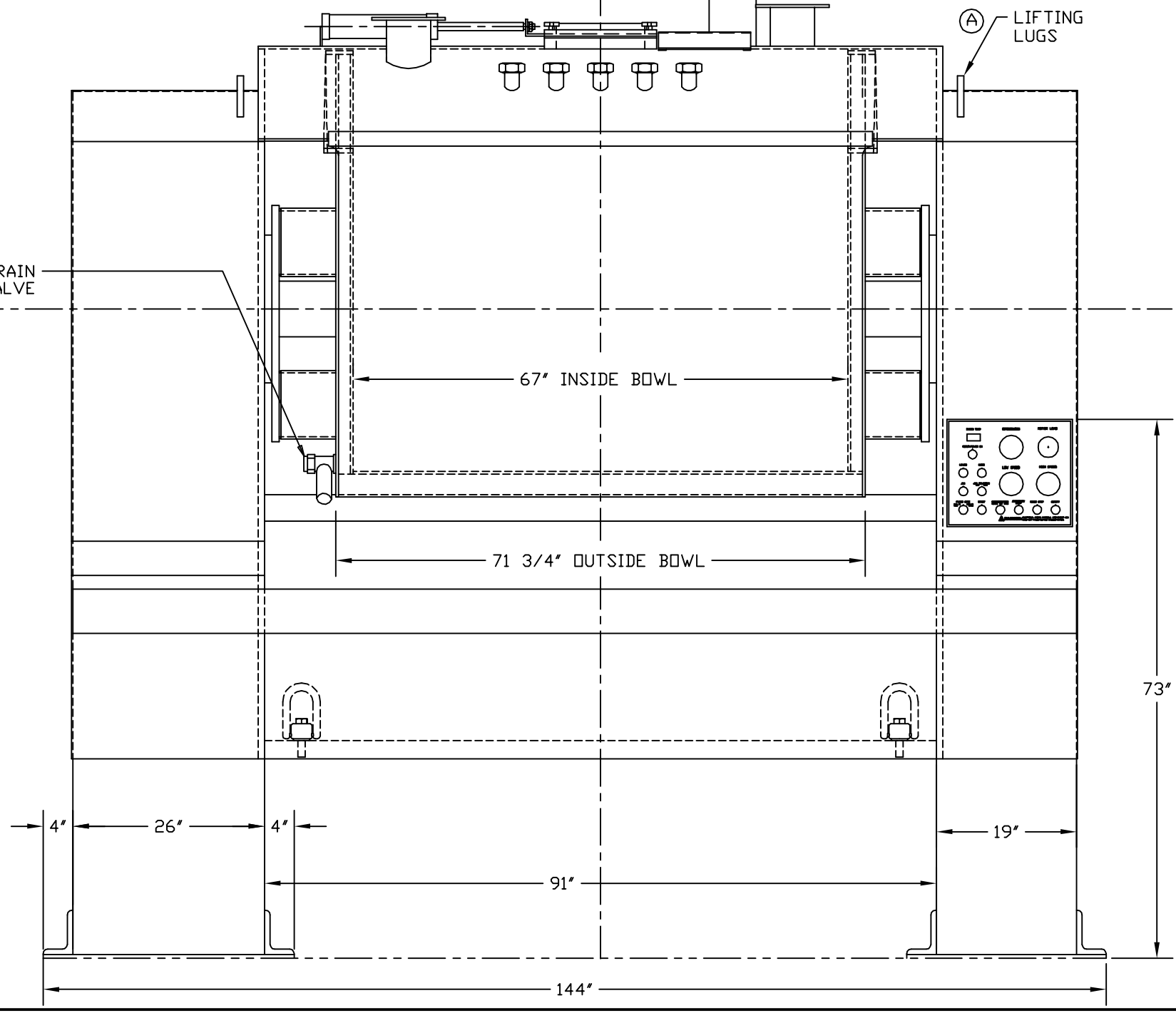
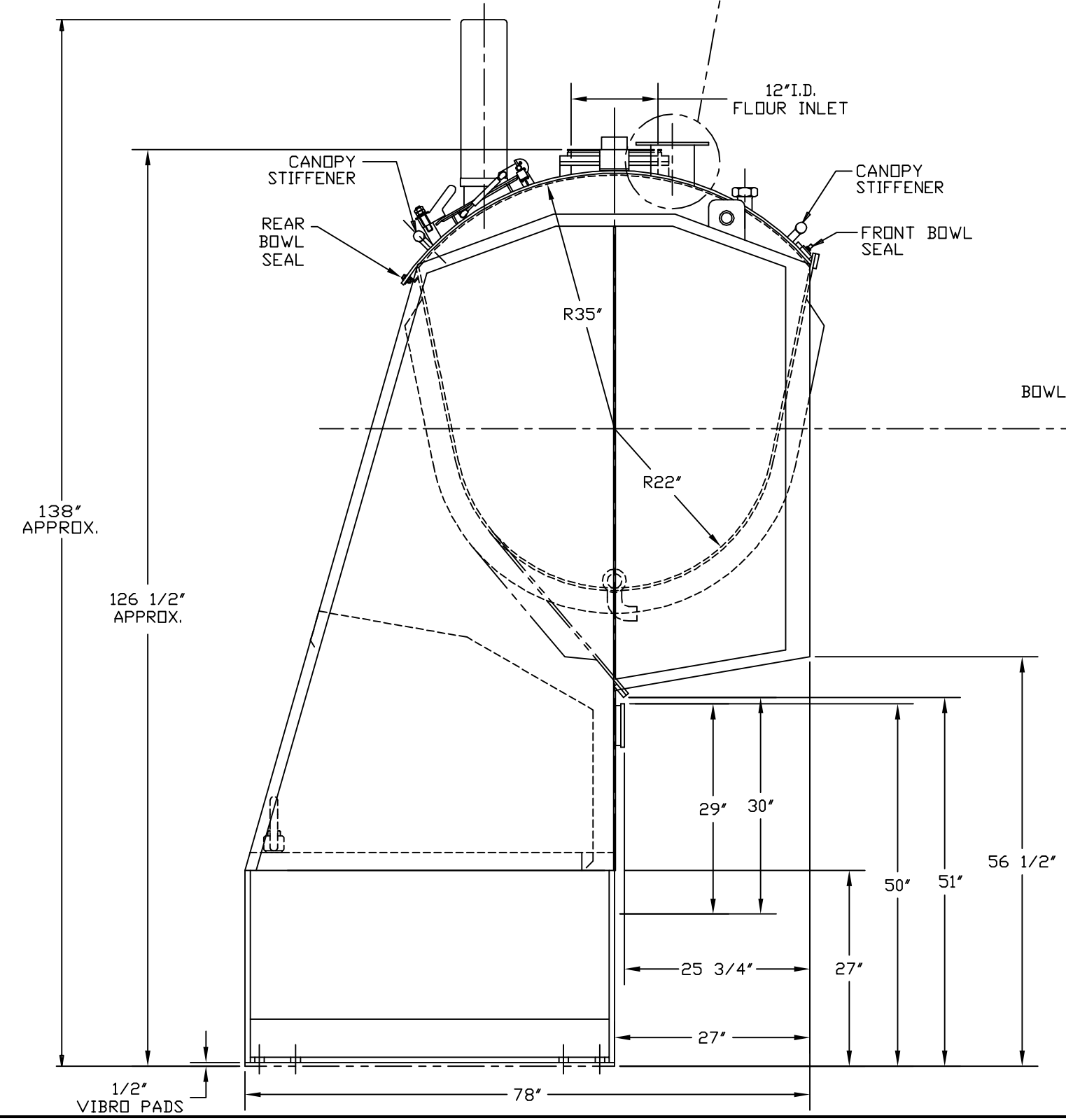
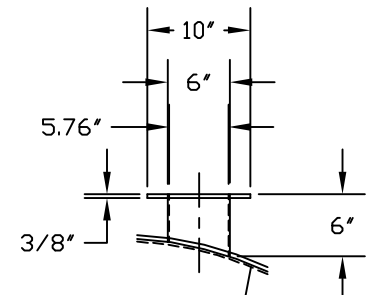
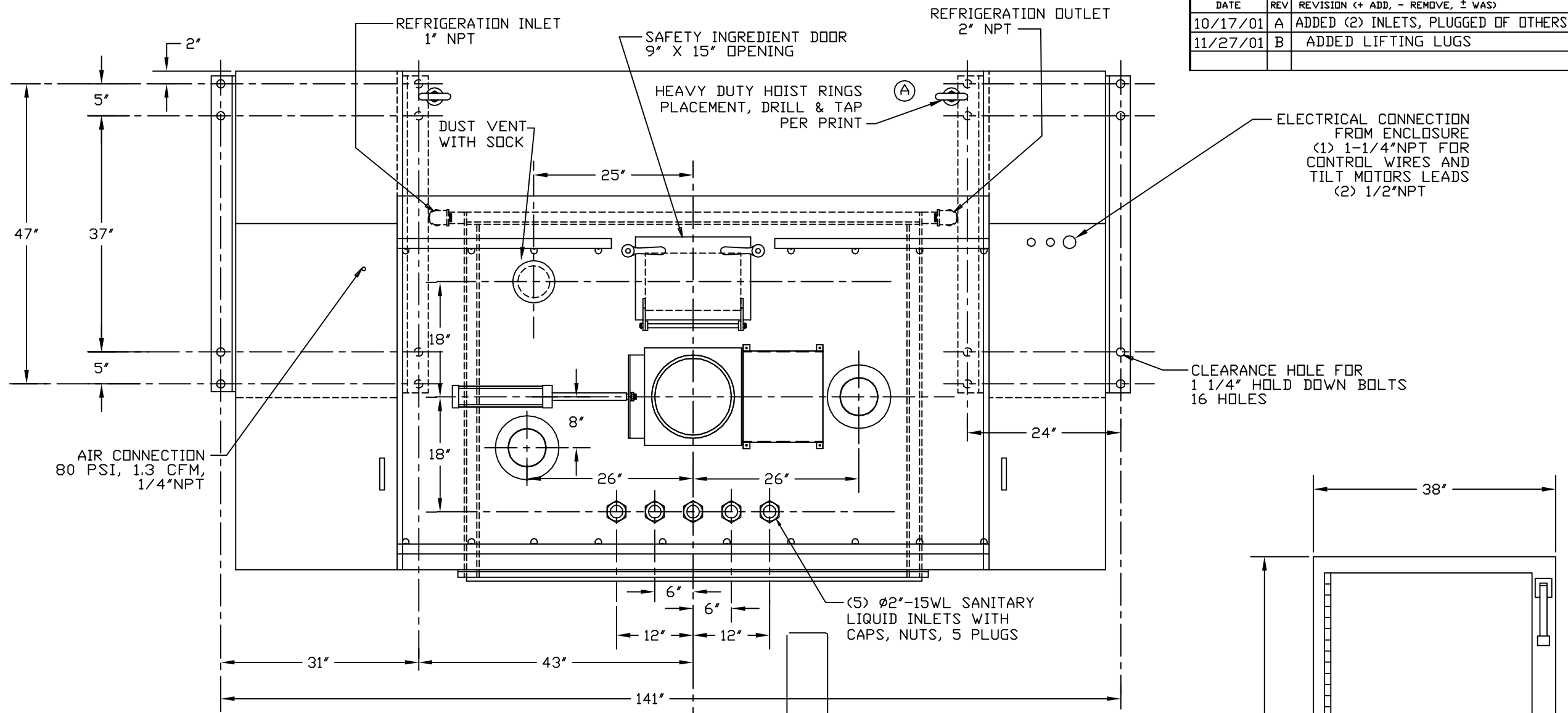


MIXER FEATURES

- 125/62 1/2 HP 1800/900 RPM TEFC SANITARY DRIVE MOTOR
- 460 VOLT 60 HERTZ 3 PHASE WITH FULL 115 VOLT MAGNETIC CONTROLS
- NEMA 12 STARTER ENCLOSURE WITH CIRCUIT BREAKER AND PROGRAMMABLE LOGIC CONTROLLER (AB SLC 5/03 PLC)
- SOLID STAINLESS STEEL BOWL ASSEMBLY
- SOLID STAINLESS STEEL BOWL COVER
- SOLID STAINLESS STEEL AGITATOR AND SHAFT
- SOLID STAINLESS STEEL WELDED IN DRIP PAN/FRONT PANEL
- SOLID STAINLESS STEEL EXTERIOR
- SOLID STAINLESS STEEL DX COOLING JACKET ON BOWL SHEET AND BOWL ENDS, R22 TYPE REFRIGERANT.
- PEERLESS COLD BAR SYSTEM™
- AGITATOR SPEEDS 35 RPM LOW 70 RPM HIGH
- SANITARY REMOVABLE SHAFT SEALS
- HIGH SPEED AND LOW SPEED JOG OPERATIONS
- SINGLE END CHAIN DRIVE
- HYDRAULIC POWERED BOWL TILT - 140°
- SAFETY SWITCHES ON END DOORS
- FLOUR DUST VENT
- FRONT BOWL SEAL
- BOWL DRAIN VALVE
- SAFETY INGREDIENT DOOR
- MANUAL LUBRICATION SYSTEM
- STAINLESS STEEL BUMPER BAR
- BOLT- ON 27" TALL LEGS
- LIFTING LUGS & HOIST RINGS

DATE	REV	REVISION (+ ADD, - REMOVE, ± WAS)	DRG NO	DR BY	CHK BY
10/17/01	A	ADDED (2) INLETS, PLUGGED OF OTHERS	9243	ABDT	
11/27/01	B	ADDED LIFTING LUGS	9369	DCDG	



PEERLESS MODEL HS240T TRIPLE ROLLER BAR MIXERS

FOR: STROEHMANN BAKERIES - EASTON, PA.
 CMO No. 201005
 P.D. 29573

PEERLESS MACHINERY CORPORATION SIDNEY, OHIO	
<small>TOLERANCES (UNLESS OTHERWISE SPECIFIED) DECIMAL .XX = ±0.1 ANGLES ±1° FRACTIONAL ±1/32 .XXX = 3005 BREAK ALL EDGES</small>	
MATERIAL	<small>DRAWN BY</small> J.D.ARY <small>APPROVED BY</small> D.T.
SCALE	TITLE
1:12	CERTIFIED DATA SHEET
DATE	FILE NUMBER
2/2/01	CDS-1680 D57-41