

MATERIALS LIST			
ITEM	LE PART NUMBER	DESCRIPTION	QT
1	380139-001	PADDLE SS DOUGH FEEDER	1
2	353635-001	HOPPER END PANEL-DOUGH DISCH	1
3	380139-001	PADDLE DOUGH FEEDER	1
4	403966-001	HOPPER 1000LB LOW LEVEL	1
5	BG006-25-P	4BLT FLNG 1.18 NICLE PL	2
6	353636-001	HOPPER END PANEL-DRIVE/GEARS	1
8	GM115-10	GEARMOTOR 14.6 RPM OUT 0.75HP	1
9	304894-001	TIMING CAM 3 POINT	1
10	421558-001	GEAR CO/VER/GUARD	1
11	241482-001	FRAME CHUNKER SUPPORT-OLF	1
12	CA160-07	CASTER 6 IN WHEEL SWIVEL LOCK	4
13	360148-001	GEAR 33T 5.5PD x 1.1875 BORE	1
14	360148-002	GEAR 33T 5.5PD x 1.1875 BORE	1
15	241445-001	FRAME HOPPER DISCHARGE-OLF	1
16	341404-001	LOWER CONV GUARD/GATE	2
17	303895-001	BUSHING-TENSIONER SHAFT	2
19	303015-001	TENSION PIVOT PIN 1.2-13 UNC	2
20	411276-001	TENSIONER ARM BRACKET	1
21	313050-001	SHAFT TENSIONER 19.45LG	1
22	402945-002	TENSIONER HANDLE	1
23	330150-001	IDLE ROLLER HDPE 2.500 DIA	6
24	SA010-04	LOCK COLLAR SS 0.750	6
25	353508-001	TENSION ARM BOTTOM	2
26	341405-001	GEARBOX MNT LINKAGE 4.0 LG	1
27	OF013-17	CPLING NUT SS RT/LT 1/2-13X2.00LG	2
28	421572-001	COVER W/POLYCARB WINDOW	2
29	380140-001	SLOTTED BEARINGS BG00G-25	2
30	411868-001	CONV LATCH/LACKING BRACKET	1
31	MH035-02	BUMPER .375-16 FEMALE THREAD	2
32	411870-001	BRACKET PHOTO EYE SENSOR	2
33	FA440422	HEX HD CAP SCRWS/S .50-13 x 6.00LG	REF
34	303057-002	BUSHING-1.00ID x 1.875 O.D.	2
35	330227-001	IDLE ROLLER 5.563 DIA	1
36	BG005-12-P	2 BLT FLNG BRG 1.00 BORE	2
37	353998-001	OLF BOLT ON WIRE ROUTING TUBE	1
38	305183-001	HOPPER HANDLE	1
71	340506-001	SLIDE BRACKET-AS SHOWN	2
72	353985-001	HOPPER GUARD	1
74	404133-001	TRAY FOR LOW LEVEL FEED	1
75	WS001-12	WEAR STRIP C CHNNL UHMW	2
76	OF008-66	ALUM EXTRUSION	2
77	410935-001	WEAR STRIP MNT BRCKT	4
78	404158-001	TRAY SUPPORT	1
79	404157-001	FRANT TRAY	1
80	MH010-12	HANDLE-U PLASTIC CABINET BLACK	4

PN13, 14 ALTERNATIVE USE
STAINLESS STEEL GEAR
360148-003, 360148-004

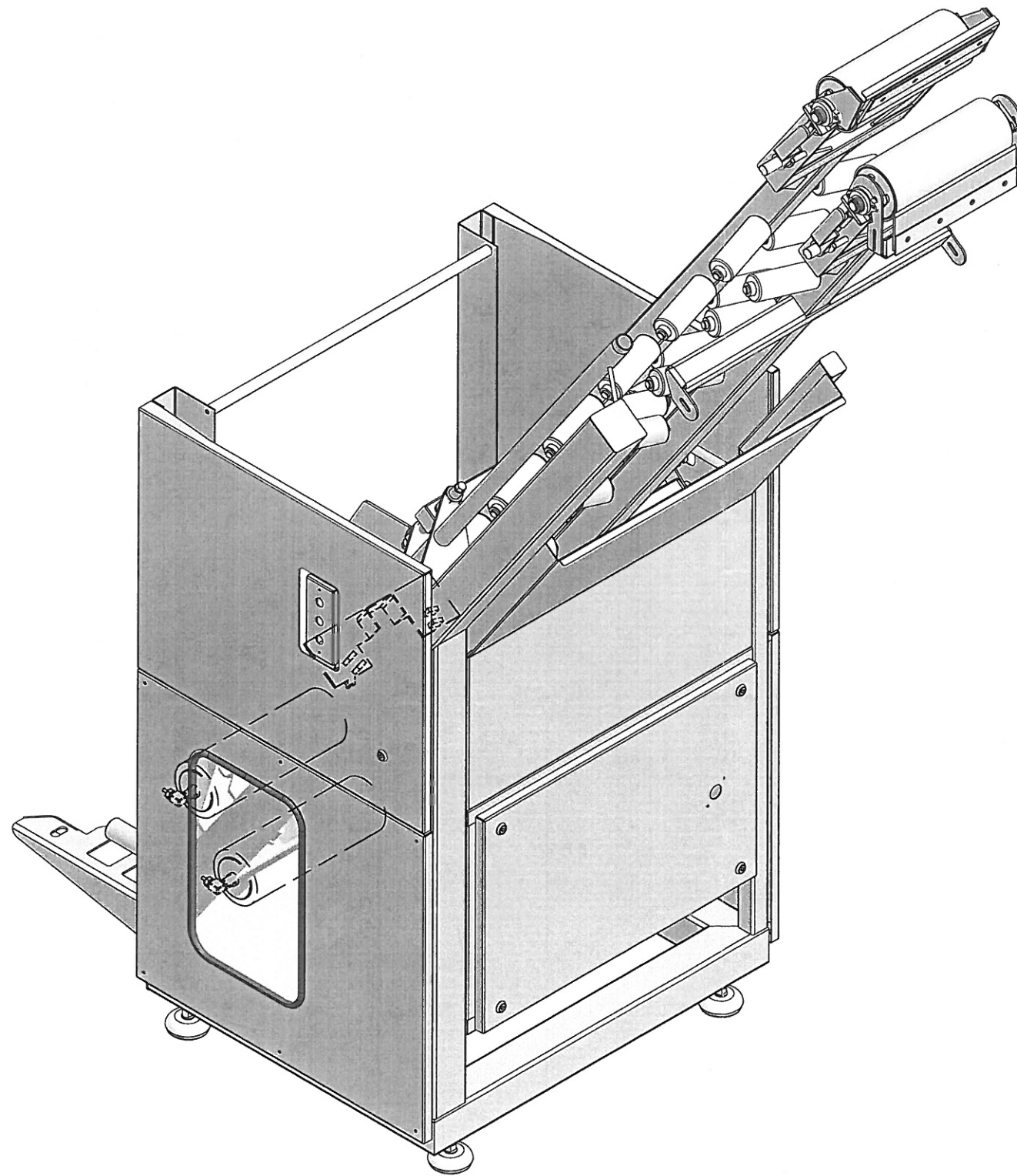
f	REV ACCORDING BOM	NSH	11/03/06	
f	HOPPER-NEW SHAPE	NSH	07/01/06	
e	DEL PN15, PN12 WAS 2 PLCS	NSH	02/27/08	
d	ADDED PN37	NSH	02/21/08	
c	DEL PN32 GEAR COVER	NSH	09/12/07	
b	PN4 WAS 403914-001	NSH	09/06/07	
a	RELEASE TO PRODUCTION	NSH	05/06/07	

REMOVE ALL BURRS AND
BREAK ALL SHARP EDGES
TOLERANCES EXCEPT AS NOTED
DECIMALS XX.01
XXS & DUT
XXS & LG

LAWRENCE EQUIPMENT
1114 NORTH HICK ROAD
SO. EL MONTE, CALIFORNIA 91733
(911) 441-2881 TELEFAX 941-1919
TOLL FREE 1-800-433-1500

LOW LEVEL DOUGH CHUNKER 1000LB
OLF

DATE: 8/5/2007
SCALE: NONE
DRAWING NO: 509757
REV: f
SHEET: 1 of 4



MATERIALS LIST

ITEM	LE PART NUMBER	DESCRIPTION	QT
1	241431-001	SUPPORT FRAME LOW LEVEL FEEDER	1
2	MH020-07	VIBRATION PAD MIG	4
3	330150-001	IDLE ROLLER HDPE 2.500 DIA	38
4	353508-001	TENSION ARM BOTTOM	4
5	SA010-04	LOCK COLLAR SS 0.750	45
6	313050-001	SHAFT TENSIONER 19.45LG	2
7	303057-002	BUSHING-1.00ID x 1.875 O.D	4
8	411276-001	TENSIONER ARM BRACKET	2
9	402945-002	TENSIONER HANDLE	2
10	303015-001	TENSION PIVOT PIN 1/2-13 UNC	4
11	340506-001	SLIDE BRACKET-AS SHOWN	4
12	303895-001	BUSHING-TENSIONER SHAFT	4
14	411724-001	CONVEYOR LOCKING BRKT	1
15	MH035-02	BUMPER .375-16 FEMALE THREAD	1
16	241424-001	FRAME INCLINE TOP CONV-OLF	1
17	OF013-17	CPLING NUT SS RT/LT 1/2-13X2.00LG.	4
18	353281-001	SCRAPER MOUNT 15.00 LG.	2
19	411737-001	SCRAPER MOUNTING BRKT LOWER	2
20	330227-001	IDLE ROLLER 5.563 DIA	2
21	411738-001	SCRAPER MOUNTING BRKT UPPER	2
22	BG005-12-P	2 BLT FLNG BRG 1.00 BORE	4
23	MH011-25	HEX LOCK TYPE LATCH	2
24	412052-001	HOPPER LOCATION BRACKET/LOCK	1
25	421721-001	ELECTRICAL HOLE COVER OLF	1
26	310281-001	SPACER SHAFT 34.75	1
27	305185-001	BRASS BUSHING 0.51ID x 1.0FLOOD	4
28	305186-001	CONV HEIGHT ADJ BOLT 1.0-BUNC	4
29	F7460025	REG HEX NUT SS. 1.00-8	4
30	421719-001	UPPER SIDE GUARD-RH	1
31	421719-002	UPPER SIDE GUARD-LH	1
32	421932-001	LOWER SIDE GUARD-RH	1
33	421932-002	LOWER SIDE GUARD-LH	1
34	353997-001	HOPPER LOCATCN BRKT-GUARD	1
35	330262-001	IDLE ROLLER HALF 2.50DIA	14

a	RELEASE TO PRODUCTION	NSH	10/27/08		
REMOVE ALL BURRS AND BREAK ALL SHARP EDGES TOLERANCES EXCEPT AS NOTED DIMINALS XX.XX OR XXX.XX USE ANGLES 45°		LAWRENCE EQUIPMENT			
THIS DRAWING IS THE PROPERTY OF LAWRENCE EQUIPMENT. IT IS TO BE USED ONLY FOR THE PURPOSES SPECIFIED HEREIN. ANY REPRODUCTION OR DISTRIBUTION OF THIS DRAWING WITHOUT THE WRITTEN PERMISSION OF LAWRENCE EQUIPMENT IS STRICTLY PROHIBITED.		FRAME ASSY INCLINE CONV. OLF OLF0112-21			
DATE	SCALE	NONE			
10/27/2008					
DRAWN BY	DATE	DRAWING NO.	REV	SHEET	
nshostak	2/10/2005	504620	a	1 of 2	
CHECKED BY	DATE				
	2/10/2005				
APPROVED BY	DATE				
	2/10/2005				