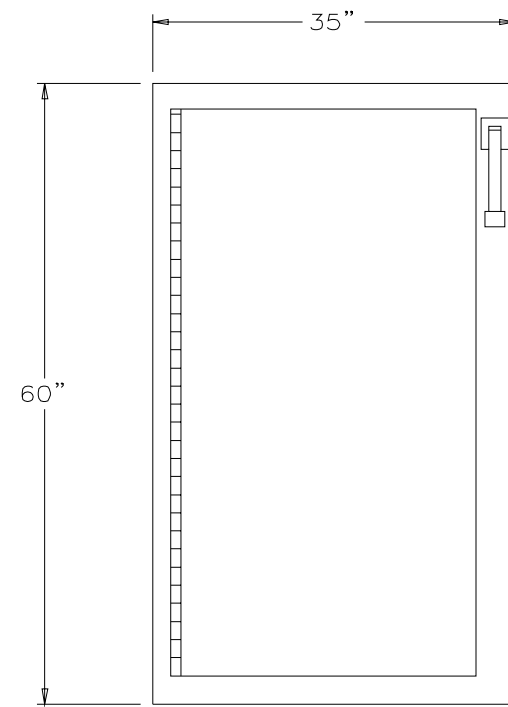
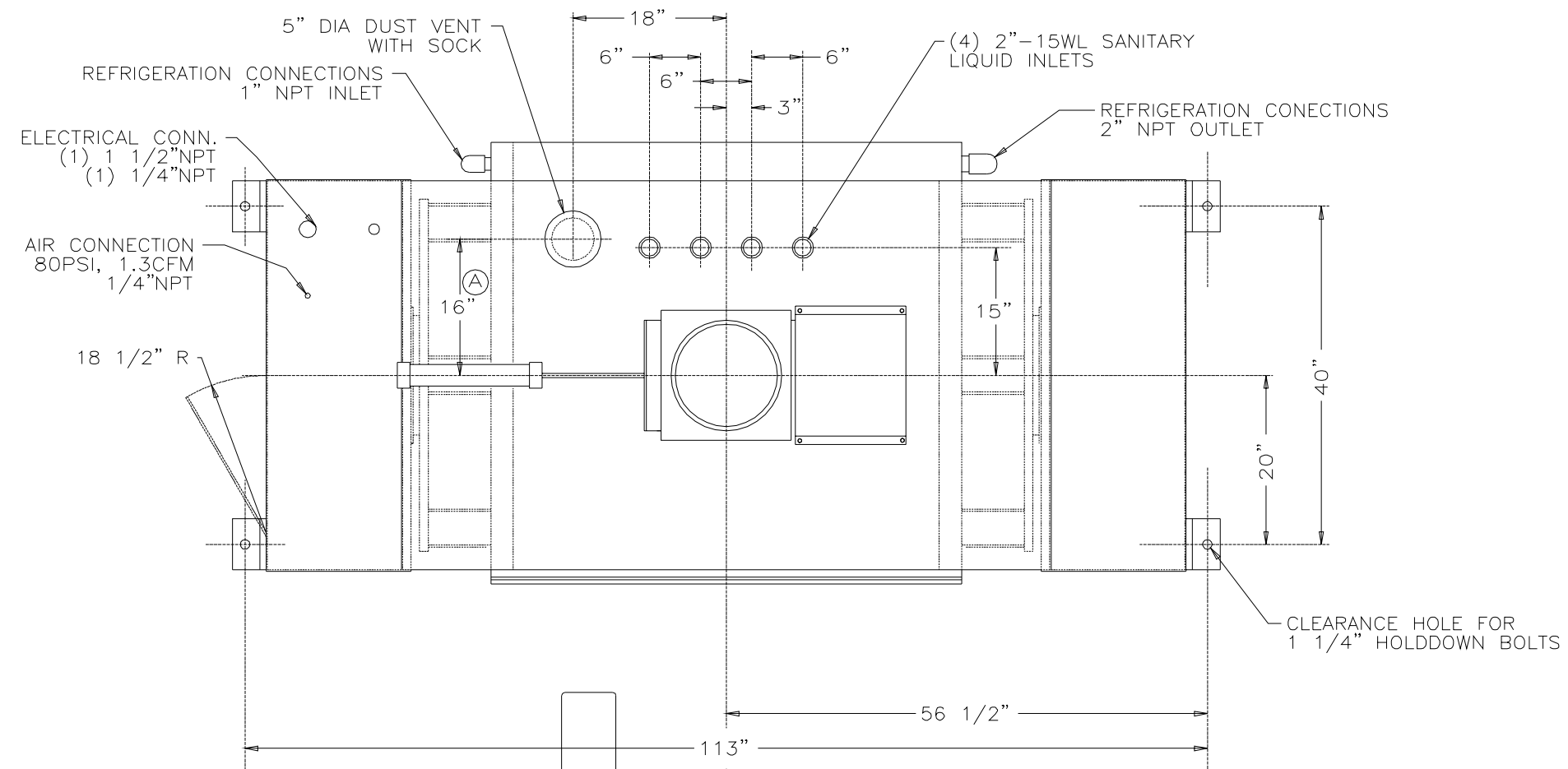


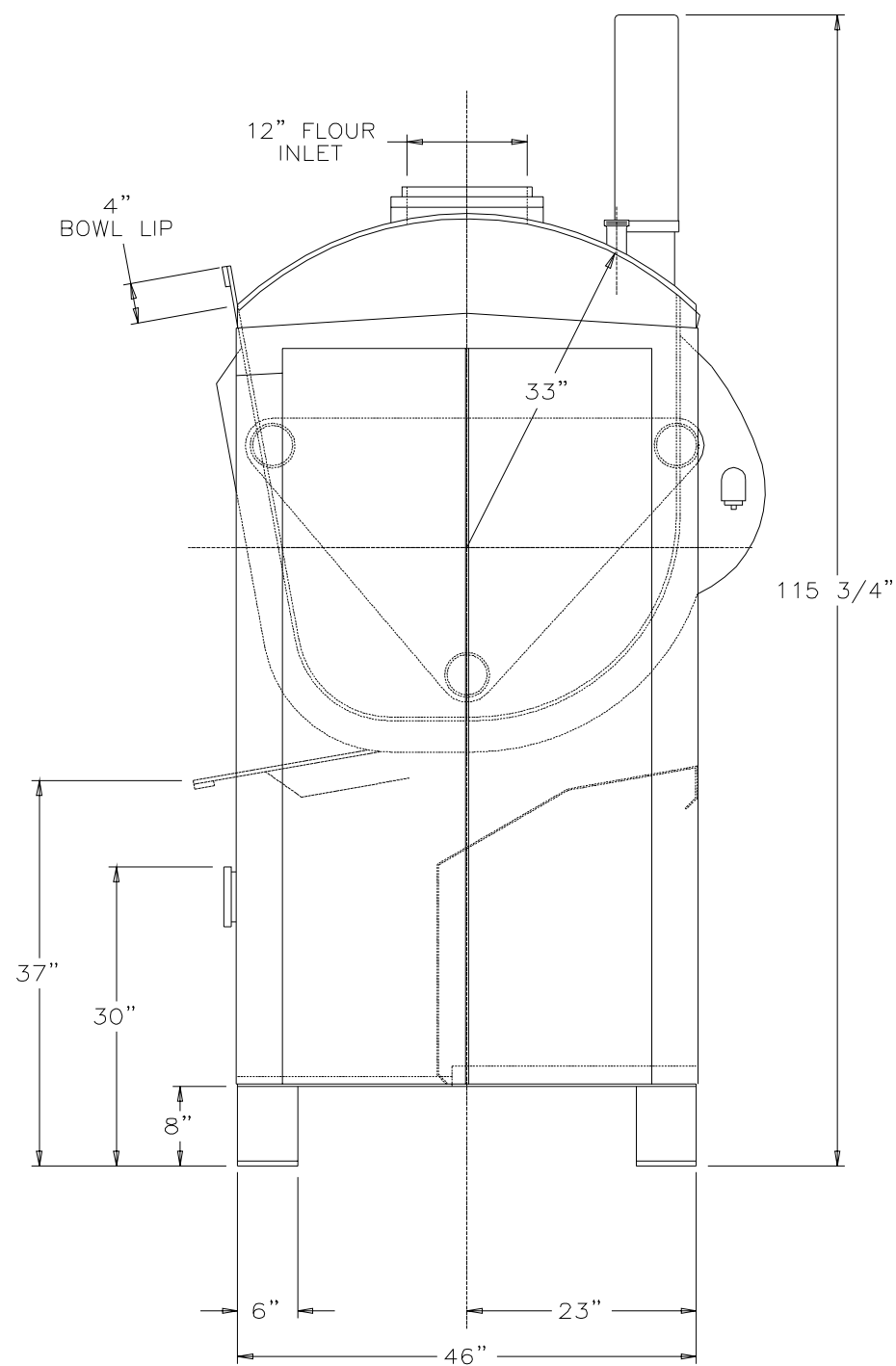
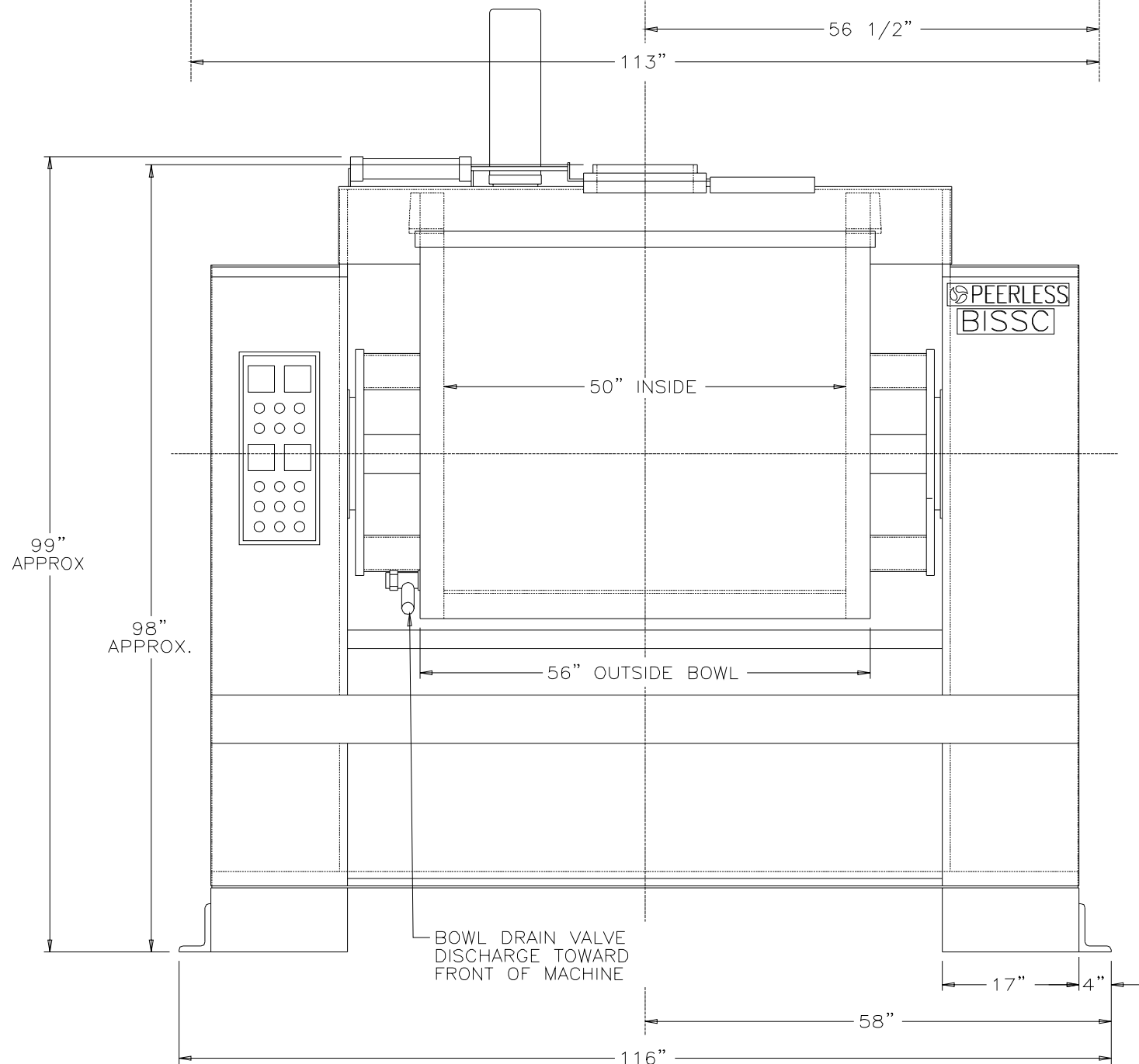
DATE	REV	REVISION (+ ADD. - REMOVE. ± WAS)	DR BY	CK BY
4/13/93	A	WAS 18"		DTDT



MIXER FEATURES:

- 60/30 HP, 1800/900 RPM TEFC SANITARY DRIVE MOTOR.
- 230V 3 PHASE, 60 HERTZ WITH FULL 115 VOLT MAGNETIC CONTROLS.
- NEMA 12 STAINLESS STEEL ELECTRICAL ENCLOSURE WITH CIRCUIT BREAKER AND PROGRAMMABLE LOGIC CONTROLLER (AB SLC-500).
- SOLID STAINLESS STEEL "D" SHAPED BOWL ASSEMBLY.
- SOLID STAINLESS STEEL AGITATOR AND SHAFT.
- SOLID STAINLESS STEEL CANOPY.
- SOLID STAINLESS STEEL EXTERIOR.
- SOLID STAINLESS STEEL WELDED DRIP PAN UNDER BOWL.
- SOLID STAINLESS STEEL DIRECT EXPANSION JACKET - R-22 TYPE REFRIGERATION.
- SANITARY REMOVABLE PACKING SYSTEM.
- AGITATOR SPEED: 35 RPM LOW 70 RPM HIGH.
- FLOUR DUST VENT WITH SOCK.
- MECHANICAL TIMERS.
- ELECTRONIC DIGITAL DOUGH THERMOMETER.
- SINGLE END DRIVE - GATES POLY CHAIN BELT DRIVE.
- HYDRAULIC POWERED BOWL TILT - 100°.
- BOWL DRAIN VALVE.
- STAINLESS STEEL CLAD LEGS.

REMOTE MOUNTED NEMA 12 ELECTRICAL ENCLOSURES 12" DEEP



NOTE:
 APPROX. 28" IS REQUIRED BEHIND MIXER TO REMOVE MOTOR OR REDUCER

(2) PEERLESS MODEL HS13 HIGH SPEED MIXERS
 FOR IDEAL BAKING - BATEVILLE, ARKANSAS
 F.O. No. 93008/93009

PEERLESS MACHINERY CORPORATION SIDNEY, OHIO		
TOLERANCES (UNLESS OTHERWISE SPECIFIED) DECIMAL .XX = ± 0.1 ANGLES ± 1° FRACTIONAL ± 1/32 MATERIAL .XXX = ± .005 BREAK ALL EDGES		
SCALE	TITLE	APPROVED BY
1:12	CERTIFIED DATA SHEET	KR
DATE	DRAWING NUMBER	FILE NUMBER
3/31/93	CDS-573	D19-22